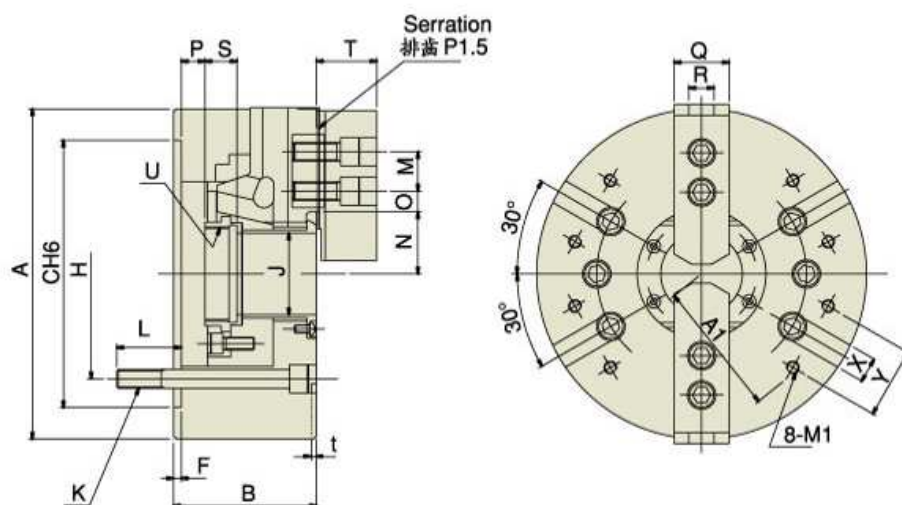


2-JAW WEDGE TYPE THROUGH-HOLE
POWER CHUCK (WITHOUT ADAPTOR)



■ 規格 SPECIFICATIONS

型式 Model	尺寸 Dim	TF2B						
		4	5	6	8	10	12	15
爪行程 (直徑) Jaw Stroke (Dia) (mm)	(mm)	5.4	5.4	5.5	7.4	8.8	10.6	10.6
柱塞行程 Plunger Stroke	(mm)	10	10	12	16	19	23	23
最大、最小把握徑 Recommended external chucking Diameter for standard soft top Jaw (mm)	最大 Max.	110	135	165	210	210	304	381
	最小 Min.	10	10	10	12	16	38	40
最高使用迴轉速 Max. Speed	(r.p.m)	8000	7000	6000	4900	4200	3300	2500
最高拉桿推力 Max. Draw Bar Pull Force	(kgf)	948	1158	1450	2250	2850	3667	4793
把握力 Clamping-force at Max. Draw Bar pull (Total jaw force)	(kgf)	1935	2399	3800	5600	7400	9600	12236
慣性矩 GD ² Moment of inertia	(kgf.m ²)	0.006	0.0017	0.056	0.165	0.308	0.7	2.30
重量 Weight with standard soft top jaws	(kg)	3.8	6.5	11.5	21.3	33.5	52	115
搭配油壓 Matching Cylinder	RC	4 / 23	5 / 16	6 / 19	8 / 17.5	10 / 18.5	12 / 18.5	15 / 15.3
	最高使用壓力 Max. pressure to operate chuck (kgf/cm ²)							

■ 尺寸表 DIMENSIONS

代號 Symbol	尺寸 Dim	A	B	C (H6)	F	H	J	K	L	M	N		O		P		Q	R	S	T	U max	X	Y	A1	M1	t
											Max.	Min.	Max.	Min.	Max.	Min.										
TF2B	4	110	59	85	4	70.6	26	M10	16	14	23	20.3	11.25	6.75	3.5	-6.5	23	10	17.5	24	M32X1.5	-	-	-	-	-
	5	135	60	110	4	82.55	33	6-M10	16	14	26.5	23.8	19.5	6	16	6	23	10	20	26	M40X1.5	12	30	52	M6	5
	6	169	81	140	5	104.78	45	6-M12	20	20	32	29.54	24	7.5	11	-1	32	12	19	29	M55X2.0	16	36	65	M8	5
	8	210	91	170	5	133.35	52	6-M12	22	25	38.7	35	30	10.5	14.5	-1.5	37	14	23.5	39	M60X2.0	16	45	80	M8	5
	10	254	100	220	5	171.45	75	6-M16	23	30	51	46.6	34.5	12	8.5	-10.5	42	16	25	43	M85X2.0	16	60	102	M10	5
	12	304	110	220	6	171.45	91	6-M16	30	30	61.3	56	46.5	12	8	-15	52	21	28	51	M100X2.0	20	60	100	M10	5
	15	381	133	300	6	235	117.5	6-M10	16	43	82	76.7	46.5	13.5	23	0	62	24	43	66	M130X2.0	20	80	150	M12	5